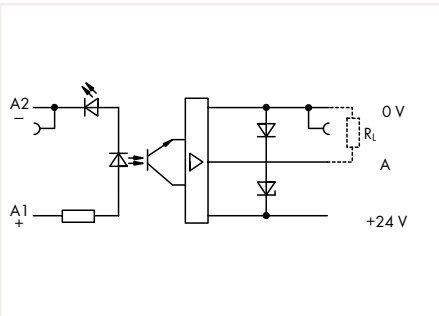
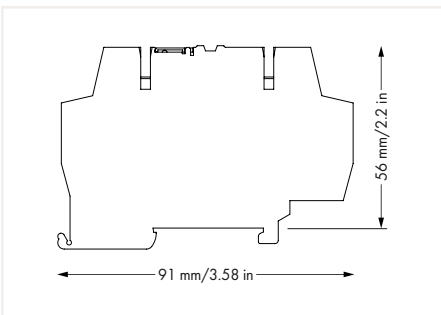


## Optocoupler Module 859 Series



Optocoupler Module; Output voltage range: 20 ... 28.8 VDC; Limiting continuous current: 0.1 A; 3-wire connection; High-side switching; Frequency: 100 kHz; Status indicator: red; 6 mm wide

$U_N$	$I_N$	Item No.	Pack. Unit
5 VDC	16.5 mA	859-753	1



### Control Circuit

Nominal input voltage $U_N$	5 VDC
Input voltage range (low level)	0 ... 1 VDC
Input voltage range (high level)	4 ... 6.25 VDC
Nominal input current at $U_N$	16.5 mA

### Load Circuit

Circuit type	3-wire connection; high-side switching
Limiting continuous current	0.1 A
Peak output current	0.8 A
Output voltage range	20 ... 28.8 VDC
Voltage drop (output) max.	$\leq 1.2$ VDC
Leakage current at rated voltage	$\leq 10$ $\mu$ A
Output closed-circuit current (without load) max.	7 mA
Turn-on time	$\leq 0.5$ $\mu$ s
Turn-off time	$\leq 5$ $\mu$ s
Switching frequency	$\leq 100$ kHz

### Signaling

Status indicator	Red LED
------------------	---------

### Safety and Protection

Dielectric strength, control/load circuit (AC, 1 min)	2.5 kV <sub>rms</sub>
---	-----------------------

### Connection Data

Connection technology	CAGE CLAMP®
Solid conductor	0.08 ... 2.5 mm <sup>2</sup> / 28 ... 14 AWG
Fine-stranded conductor	0.08 ... 2.5 mm <sup>2</sup> / 28 ... 14 AWG
Strip Length	5 ... 6 mm / 0.2 ... 0.24 inch

### Physical Data

Width	6 mm / 0.236 inch
Height from upper-edge of DIN-rail	56 mm / 2.205 inch
Depth	91 mm / 3.583 inch

### Mechanical Data

Mounting type	DIN-35 rail
---------------	-------------

### Material Data

Weight	15.6 g
--------	--------

### Environmental Requirements

Surrounding air temperature (operation at $U_N$ )	-25 ... +55 °C
Surrounding air temperature (storage)	-40 ... +70 °C
Processing temperature	-25 ... +50 °C

### Standards and Specifications

Standards/specifications	EN 60664-1; EN 61000-6-2; EN 61000-6-3; EN 61373; UL 508
--------------------------	--